



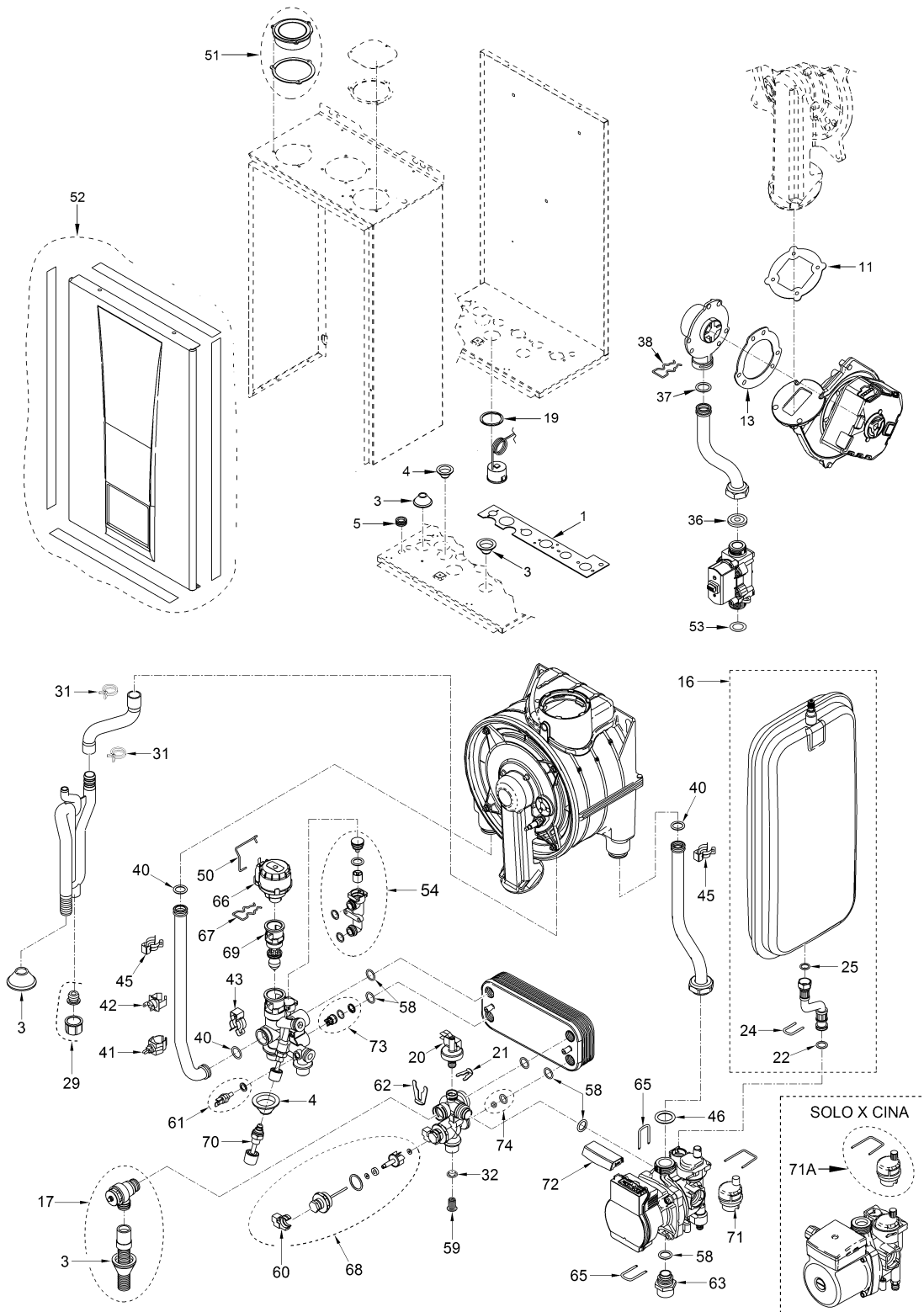
Fonderie Sime S.p.A. - Via Garbo, 27 - 37045 Legnago (VR) - www.sime.it
Tribunale Verona 13531 - R.E.A. VR 171357 - C.C.P. 19423375 - N° Mecc. VR 014435
Capitale Sociale Euro 5.521.200 int. versato - Codice Fiscale/Partita IVA n. IT 01275930236

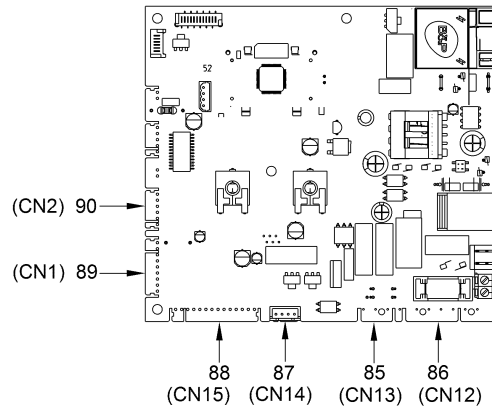
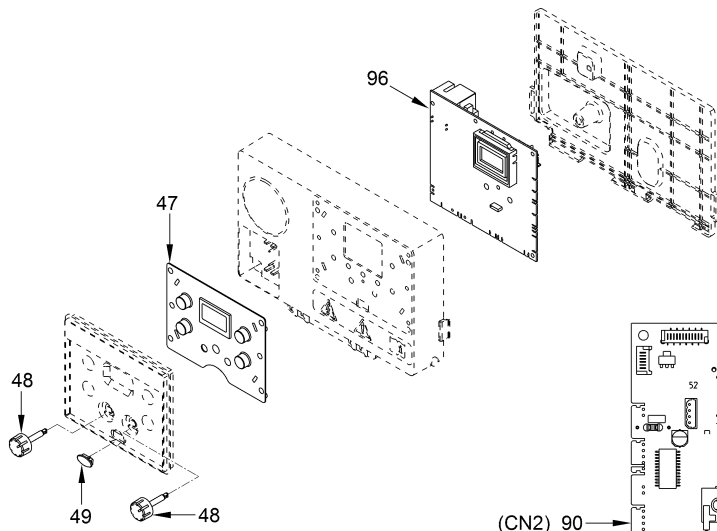
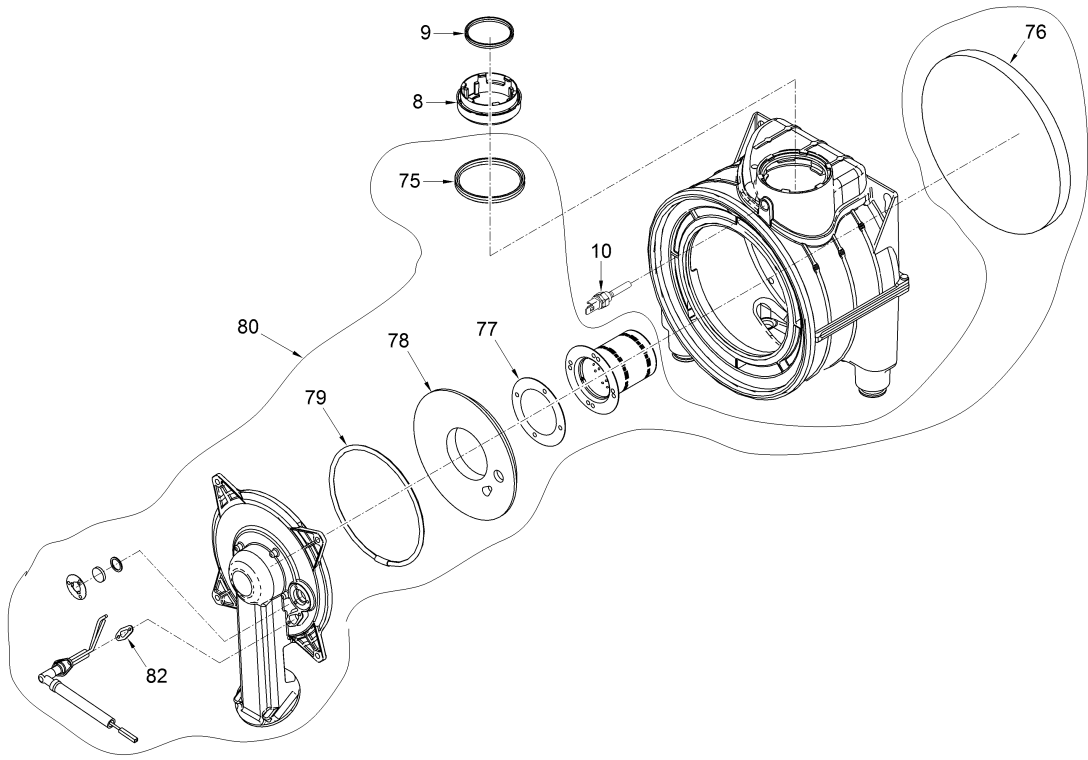
Comfort Ambiente - Via Garbo, 27 - 37045 Legnago (VR)

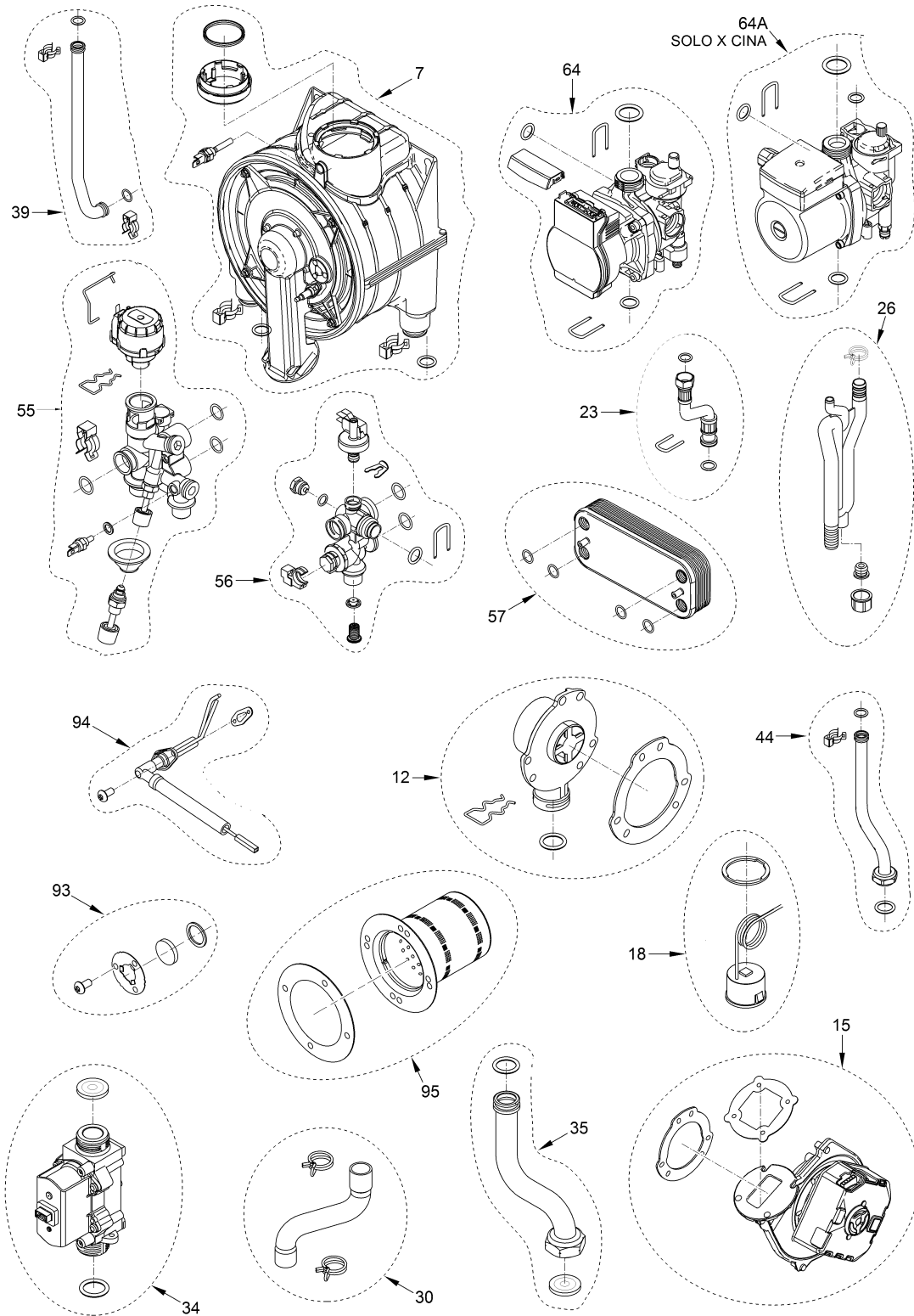
Tel +39 0442 631111 - Fax Servizio Commerciale: Italia +39 0442 631291 - Estero +39 0442 631293

Fax Servizio Tecnico +39 0442 631292 - Fax Ufficio Acquisti +39 0442 631292 - Fax Amministrazione +39 0442 631336

8116602 MIA HE 30







ATTENTION: use only original spare parts. Failure to comply with the above may compromise the safety of the device and the immediate forfeiture of the warranty.

Position	Code	Description	Where used	Advised parts
001	6229885	Hydraulic group gasket		
002	6226750	Silicone pipe ring ø128		
003	6226753	Silicone pipe ring ø15X35		
004	6226710	Silicon conical diaphragm Ø 18		
005	6226719	Bushing		
007	6281678	Heat exchanger+or+spring		
008	6296548	Reducer DN 80-60		
009	6248875	Gasket Ø 60		
010	6277130	Probe NTC D.4X40		A
011	6174816	Gasket for fan flange		
012	6281750	Group air/gas mixer		
013	6028716	Gasket for fan/mixer		
015	6281682	Fan + gasket		A
016	6281673	Expans. vess.+flex+spring		

017	6281658	Safety valve kit 3 bar + plasti	A
018	6281670	Hydrometer + gasket	
019	6229881	Gasket	
020	6037512	Water pressure switch	
021	6226639	Spring clip	
022	6226476	ORing diam.15x2	
023	6281632	Flex.pipe MF3/8" L=200 + or	
024	6226643	Pipe fixing spring	
025	2030226	Gasket Ø 10,2x14,8x2	
026	6281764	Water trap group	
029	5171635	Cap + gasket for water trap kit	
030	6281662	Flexible pipe L=210 + spring	
031	2051150	Clamp diam. 25	
034	6281751	Gas valve-gaskets+instr.sheet	A
035	6281752	Pipe connecting gas valve-mixer	
036	6050469	Nozzle 530 met	
037	6226477	Rubber gasket OR Ø 17x3	
038	6226636	D.H.W. elektrovalve fix.spring	
039	6281675	Flowing pipe C.H.system+or	
040	6226412	O-ring 3068	A
041	6231372	Temperature sensor	A
042	6146729	100°C safety stat	A
043	6226601	Spring for heat exchanger conne	
044	6281676	Return pipe C.H.system + or	
045	6226619	Spring for heat exchanger conne	
046	2030267	Piracriten gasket Ø 30x17x2	
047	6305130	Rubber button	
048	6290170	Knob Ø 20	
049	6305140	Rubber cap	
050	6226638	Divertor valve motor spring cli	
051	6281674	Group air intake	
052	6281667	Front panel + insulators	A
053	2030249	Gasket Ø 24x17x3	
054	6319653	External by-pass kit	
055	6281680	C.H.flow stepper manifold + or	
056	6281640	C.H.ret.manif+or+wat.pres+filte	
057	6319690	kit 12 plate heat exchanger + o	
058	6226475	ORing diam.18,64x3,53	
059	6222003	D.H.W. filter	
060	6131440	Flowmeter sensor	
061	6281519	Plunged sensor + gasket	A
062	6226645	Spring clip	
063	6120560	Pump nipple 3/4"	
064	6281681	Circulat. pump + gasket	
065	6226644	Spring clip for rotating connec	
066	6087332	Motor for diverting valve	
067	6226636	D.H.W. elektrovalve fix.spring	
068	6319651	Flowmeter + sensor group	A
069	6319654	Shutter group	
070	6319639	Filling cock	
071	6013182	Automatic air vent	
072	6319647	Circulateur top cover	
073	6281859	Restraint valve + seeger ring	
075	6248876	Smoke outlet gasket ø80 mm	
076	6326951	Rear insulation + springs	
077	6326942	Gasket for burner flange	
078	6326952	Front insulation	
079	6326953	Sealing	
080	6326980	Burner-door group	
082	6326950	Gasket for ignition electrode	
085	6329482	Pump-fan CN13 connection	
086	6329477	6 pole cable connector CN12	
087	6323876	4 pole cable connector CN14	
088	6329473	14 pole cable connector CN15	
089	6325671	9 pole cable connector CN1	
090	6329474	6 pole cable connector CN2	
093	6281753	Peephole kit	
094	6281754	Ignit.-ionis.elect.+ asket kit	
095	8076118	Burner + gasket kit	
096	6324931	Main PCB	A
700	5202304	Complete control panel	
701	6316259	5 pole cable connector	

A = Spare parts for minimum fittings