



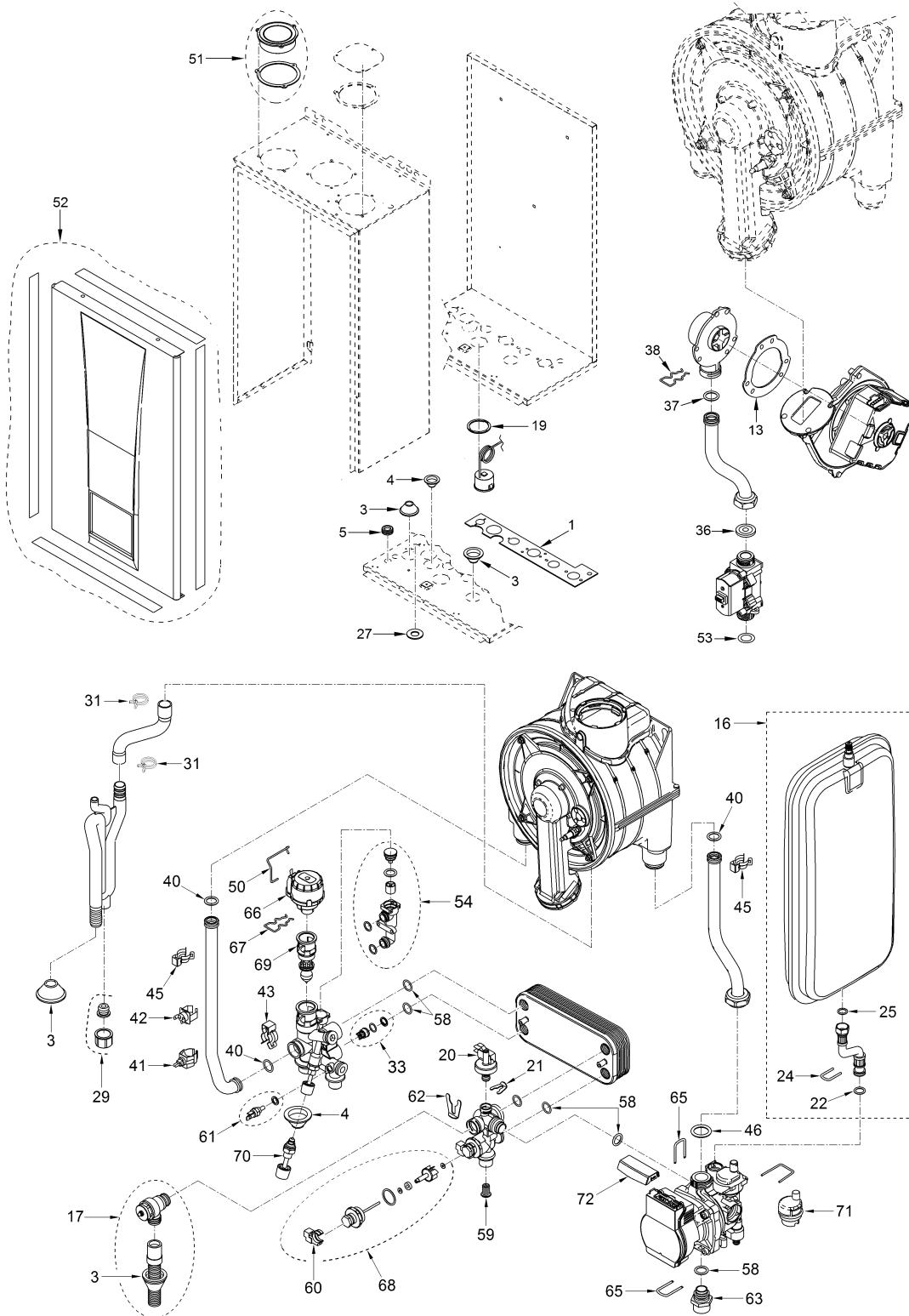
Fonderie Sime S.p.A. - Via Garbo, 27 - 37045 Legnago (VR) - www.sime.it
Tribunale Verona 13531 - R.E.A. VR 171357 - C.C.P. 19423375 - N° Mecc. VR 014435
Capitale Sociale Euro 5.521.200 int. versato - Codice Fiscale/Partita IVA n. IT 01275930236

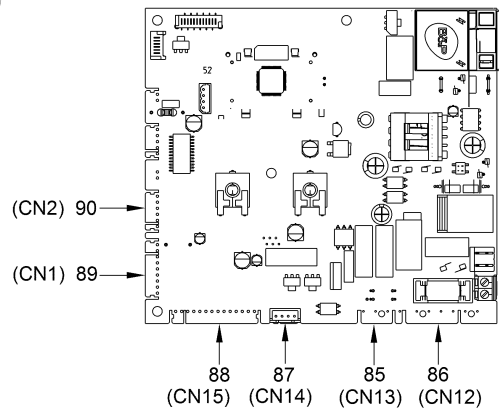
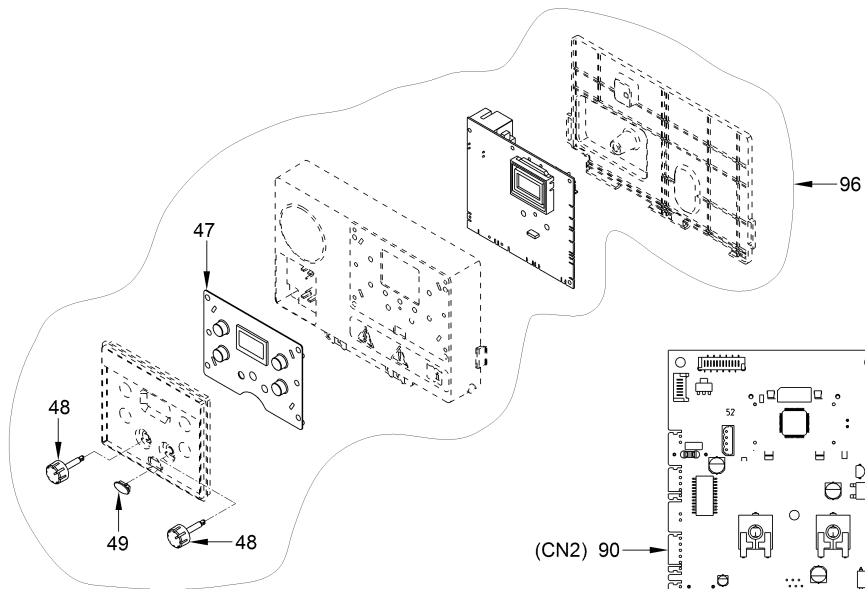
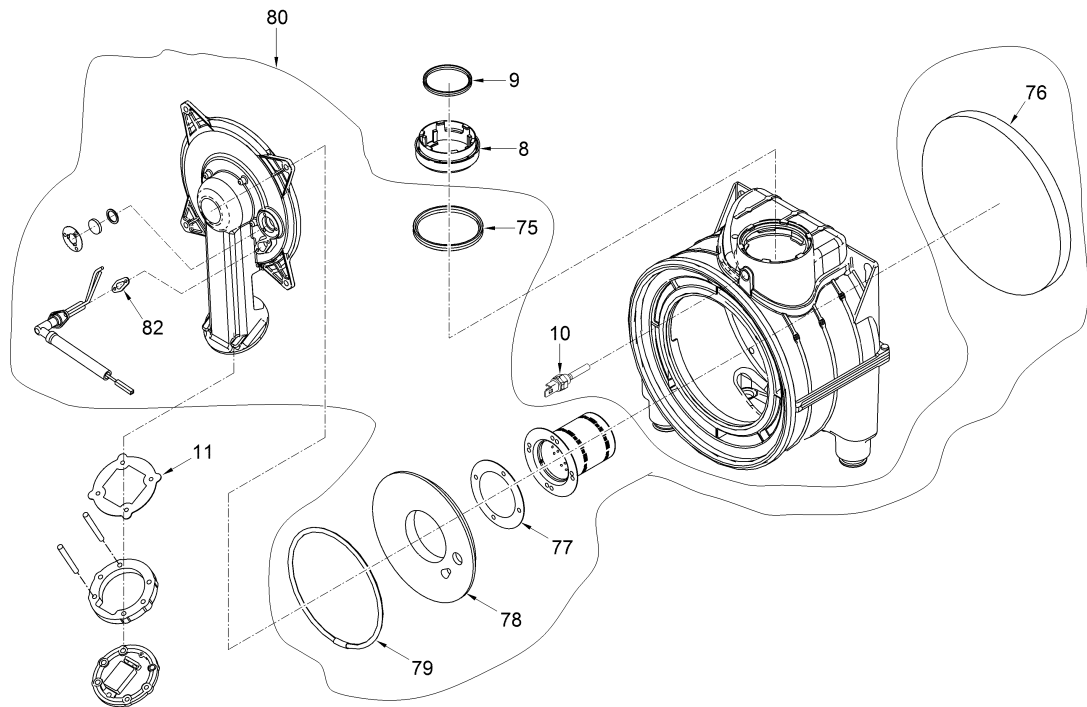
Comfort Ambiente - Via Garbo, 27 - 37045 Legnago (VR)

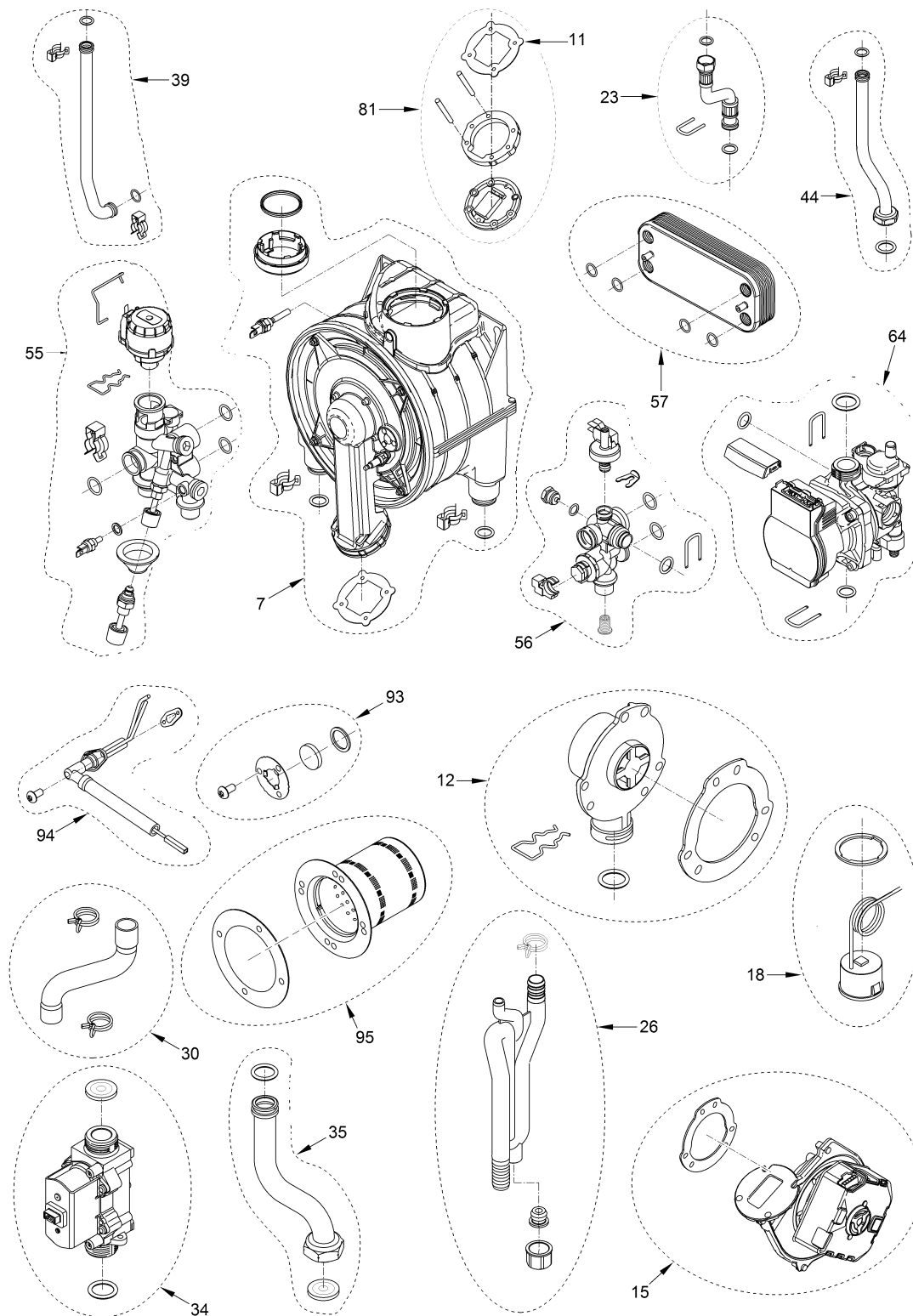
Tel +39 0442 631111 - Fax Servizio Commerciale: Italia +39 0442 631291 - Estero +39 0442 631293

Fax Servizio Tecnico +39 0442 631292 - Fax Ufficio Acquisti +39 0442 631292 - Fax Amministrazione +39 0442 631336

8116608 MIA HE 40 C10







ATTENTION: use only original spare parts. Failure to comply with the above may compromise the safety of the device and the immediate forfeiture of the warranty.

| Position | Code | Description | Where used | Advised parts |
|----------|---------|--------------------------------|------------|---------------|
| 001 | 6229885 | Hydraulic group gasket | | |
| 002 | 6226750 | Silicone pipe ring ø128 | | |
| 003 | 6226753 | Silicone pipe ring ø15X35 | | |
| 004 | 6226710 | Silicon conical diaphragm Ø 18 | | |
| 005 | 6226719 | Bushing | | |
| 007 | 6281844 | Heat exchanger+or+spring | | |
| 008 | 6296548 | Reducer DN 80-60 | | |
| 009 | 6248875 | Gasket Ø 60 | | |
| 010 | 6277130 | Probe NTC D.4X40 | | A |
| 011 | 6174840 | Gasket for fan flange | | |
| 012 | 6281704 | Group air/gas mixer | | |
| 013 | 6028716 | Gasket for fan/mixer | | |
| 015 | 6261434 | Fan | | A |
| 016 | 6281703 | Expans. vess.+flex+spring | | |

| | | | |
|-----|---------|---------------------------------|---|
| 017 | 6281658 | Safety valve kit 3 bar + plasti | A |
| 018 | 6281670 | Hydrometer + gasket | |
| 019 | 6229881 | Gasket | |
| 020 | 6037512 | Water pressure switch | |
| 021 | 6226639 | Spring clip | |
| 022 | 6226476 | ORing diam.15x2 | |
| 023 | 6281632 | Flex.pipe MF3/8" L=200 + or | |
| 024 | 6226643 | Pipe fixing spring | |
| 025 | 2030226 | Gasket Ø 10,2x14,8x2 | |
| 026 | 6281764 | Water trap group | |
| 029 | 5171635 | Cap + gasket for water trap kit | |
| 030 | 6281662 | Flexible pipe L=210 + spring | |
| 031 | 2051150 | Clamp diam. 25 | |
| 033 | 6281859 | Restraint valve + seeger ring | |
| 034 | 6281751 | Gas valve+gaskets+instr.sheet | A |
| 035 | 6281752 | Pipe connecting gas valve-mixer | |
| 036 | 6050469 | Nozzle 530 met | |
| 037 | 6226477 | Rubber gasket OR Ø 17x3 | |
| 038 | 6226636 | D.H.W. elektrovalve fix.spring | |
| 039 | 6281675 | Flowing pipe C.H.system+or | |
| 040 | 6226412 | O-ring 3068 | A |
| 041 | 6231372 | Temperature sensor | A |
| 042 | 6146729 | 100°C safety stat | A |
| 043 | 6226601 | Spring for heat exchanger conne | |
| 044 | 6281676 | Return pipe C.H.system + or | |
| 045 | 6226619 | Spring for heat exchanger conne | |
| 046 | 2030267 | Piracriten gasket Ø 30x17x2 | |
| 047 | 6305130 | Rubber button | |
| 048 | 6290170 | Knob Ø 20 | |
| 049 | 6305140 | Rubber cap | |
| 050 | 6226638 | Divertor valve motor spring cli | |
| 051 | 6281674 | Group air intake | |
| 052 | 6281667 | Front panel + insulators | A |
| 053 | 2030249 | Gasket Ø 24x17x3 | |
| 054 | 6319653 | External by-pass kit | |
| 055 | 6281680 | C.H.flow stepper manifold + or | |
| 056 | 6281640 | C.H.ret.manif+or+wat.pres+filte | |
| 057 | 6319692 | Kit 16 plate heat exchanger + o | |
| 058 | 6226475 | ORing diam.18,64x3,53 | |
| 059 | 6222003 | D.H.W. filter | |
| 060 | 6131440 | Flowmeter sensor | |
| 061 | 6281519 | Plunged sensor + gasket | A |
| 062 | 6226645 | Spring clip | |
| 063 | 6120560 | Pump nipple 3/4" | |
| 064 | 6281701 | Circulat. pump + gasket | |
| 065 | 6226644 | Spring clip for rotating connec | |
| 066 | 6087332 | Motor for diverting valve | |
| 067 | 6226636 | D.H.W. elektrovalve fix.spring | |
| 068 | 6319651 | Flowmeter + sensor group | A |
| 069 | 6319654 | Shutter group | |
| 070 | 6319639 | Filling cock | |
| 071 | 6013182 | Automatic air vent | |
| 072 | 6319647 | Circulateur top cover | |
| 075 | 6248876 | Smoke outlet gasket ø80 mm | |
| 076 | 6326951 | Rear insulation + springs | |
| 077 | 6326942 | Gasket for burner flange | |
| 078 | 6326952 | Front insulation | |
| 079 | 6326953 | Sealing | |
| 081 | 6281759 | Clapet sleeve group | |
| 082 | 6326950 | Gasket for ignition electrode | |
| 083 | 6105168 | Clapet gasket | |
| 085 | 6329482 | Pump-fan CN13 connection | |
| 086 | 6329477 | 6 pole cable connector CN12 | |
| 087 | 6323876 | 4 pole cable connector CN14 | |
| 088 | 6329473 | 14 pole cable connector CN15 | |
| 089 | 6325671 | 9 pole cable connector CN1 | |
| 090 | 6329474 | 6 pole cable connector CN2 | |
| 093 | 6281753 | Peephole kit | |
| 094 | 6281754 | Ignit.-ionis.elect.+ `asket kit | |
| 095 | 8076129 | Burner + gasket kit | |
| 096 | 6281683 | Main P.C.B + keys + knobs | A |
| 700 | 5202304 | Complete control panel | |
| 701 | 6316259 | 5 pole cable connector | |

A = Spare parts for minimum fittings