



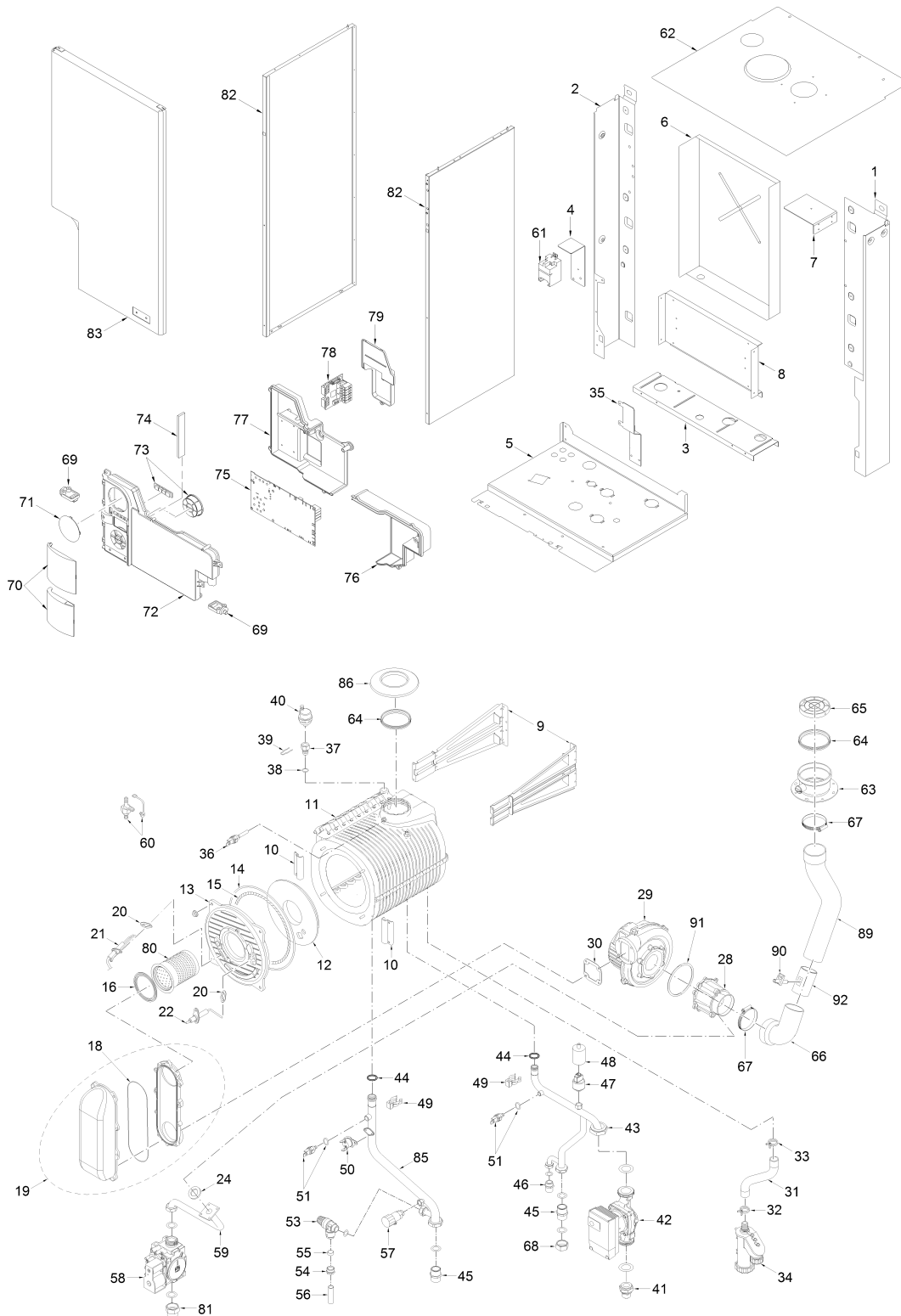
Fonderie Sime S.p.A. - Via Garbo, 27 - 37045 Legnago (VR) - [www.sime.it](http://www.sime.it)  
 Tribunale Verona 13531 - R.E.A. VR 171357 - C.C.P. 19423375 - N° Mecc. VR 014435  
 Capitale Sociale Euro 5.521.200 int. versato - Codice Fiscale/Partita IVA n. IT 01275930236

Comfort Ambiente - Via Garbo, 27 - 37045 Legnago (VR)

Tel +39 0442 631111 - Fax Servizio Commerciale: Italia +39 0442 631291 - Estero +39 0442 631293

Fax Servizio Tecnico +39 0442 631292 - Fax Ufficio Acquisti +39 0442 631292 - Fax Amministrazione +39 0442 631336

8113340 MURELLE HE 70 R ErP



| Position | Code    | Description                    | Where used | Advised parts |
|----------|---------|--------------------------------|------------|---------------|
| 001      | 6138533 | Right hand side frame part     |            |               |
| 002      | 6138632 | Left hand side frame part      |            |               |
| 003      | 6255431 | Expansion vessel lower support |            |               |
| 004      | 6256750 | Transformer fixing bracket     |            |               |
| 005      | 6138900 | Frame assembly lower side      |            |               |

|     |         |                                 |   |
|-----|---------|---------------------------------|---|
| 006 | 6266081 | Rear panel                      |   |
| 007 | 6256751 | Upper protection fixing bracket |   |
| 008 | 6267156 | Main exchanger support. bracket |   |
| 009 | 6010874 | Main exchanger support. bracket |   |
| 010 | 6010829 | Main exchanger fixing bracket   |   |
| 011 | 6278918 | Main exchanger body             |   |
| 012 | 6269011 | Main exchanger door insulation  |   |
| 013 | 6278857 | Main exchanger door             |   |
| 014 | 6248861 | Combustion chamber O-ring       |   |
| 015 | 6248860 | Glass fibre sealing cord        |   |
| 016 | 6174823 | Gasket for burner flange        |   |
| 018 | 6174819 | Air-gas hose gasket             |   |
| 019 | 6278880 | Air-gas full hose               |   |
| 020 | 6174809 | Gasket for ignition electrode   | B |
| 021 | 6221632 | Ignition electrode              |   |
| 022 | 6221623 | Ionisation electrode            |   |
| 023 | 6028703 | Gasket for duct flange          |   |
| 024 | 2030272 | Piracriten gasket Ø 20X33X4     |   |
| 028 | 6274366 | Air/gas mixer                   |   |
| 029 | 6261426 | Fan                             |   |
| 030 | 6174816 | Gasket for fan flange           |   |
| 031 | 6034155 | Condensate drainage pipe        |   |
| 032 | 2051122 | Clamp diam. 22,1                |   |
| 033 | 2051123 | Clamp diam. 24,2                |   |
| 034 | 6277207 | Water trap                      |   |
| 035 | 6293005 | Trap fixing bracket             |   |
| 036 | 6277130 | Probe NTC D.4X40                | A |
| 037 | 6112331 | Bush                            |   |
| 038 | 6226464 | O-ring 115 diam. 11,91x2,62     |   |
| 039 | 6226624 | Spring air vent knob            |   |
| 040 | 6013102 | Automatic air vent 1/4"         | C |
| 041 | 6277953 | Pump connecting pipe            |   |
| 042 | 6272335 | Circulating pump                |   |
| 043 | 6277949 | Pipe connecting pump-exchanger  |   |
| 044 | 6226471 | ORing 19x3,15                   |   |
| 045 | 6120540 | Nipple 1"x1" OT                 |   |
| 046 | 6120510 | Nipple 1/2"x1/2" OT             |   |
| 047 | 6273603 | Water press.transd. HUBA CONTR  |   |
| 048 | 6175401 | Cover for micro switches        |   |
| 049 | 6226637 | Spring clip                     |   |
| 050 | 6146701 | 100°C safety stat               |   |
| 051 | 6281519 | Plunged sensor + gasket         | A |
| 053 | 6040212 | Press. relief valve 1/2" 3.5 ba |   |
| 054 | 6168401 | Locking nut for pipe Ø 15       |   |
| 055 | 6100202 | Ogive for pipe Ø 15             |   |
| 056 | 6157623 | Pressure relief valve drain pip |   |
| 057 | 6017211 | Manual air vent 1/4"            |   |
| 058 | 6243837 | Gas valve                       |   |
| 059 | 6277461 | Pipe connecting gas valve-mixer |   |
| 060 | 6280590 | Three way fitting + cap kit     |   |
| 061 | 6098315 | Ignition transformer            |   |
| 062 | 6010872 | Upper protection shield         |   |
| 063 | 6083062 | Flue inlet flange Ø 80          |   |
| 064 | 6248828 | Air inlet gasket Ø80            |   |
| 065 | 6190001 | Intake terminal Ø 80            |   |
| 066 | 6001171 | Air intake pipe 60              |   |
| 067 | 2051200 | Hose clamp Ø 50-70              |   |
| 068 | 6229502 | Plug 1" F. OT                   |   |
| 069 | 6302000 | Plastic pin                     |   |
| 070 | 6304890 | Flap door assembly              |   |
| 071 | 6247327 | Cap for time programmer         |   |
| 072 | 6304700 | Control panel                   |   |
| 073 | 6305120 | Kit Rubber button               |   |
| 074 | 6305160 | Guidelight with led             |   |
| 075 | 6328950 | Main PCB                        |   |
| 076 | 6305010 | connection cover                |   |
| 077 | 6305000 | Cover                           |   |
| 078 | 6301467 | Main P.C.B. converter           |   |
| 079 | 6305020 | Time programmer cover           |   |
| 080 | 6278361 | Burner                          |   |
| 081 | 6104708 | M.F. bushing 3/4" UN1x3/4" NPT  |   |
| 082 | 6304463 | casing left/right side panel    |   |
| 083 | 6304231 | Casing front panel              |   |
| 085 | 6227492 | Flowing pipe to C.H. system     |   |
| 086 | 6230402 | External ring for pipe diam.80  |   |
| 089 | 6001172 | Air intake pipe 60              |   |
| 090 | 6263916 | Fan pressure test point         |   |

|     |         |                            |   |
|-----|---------|----------------------------|---|
| 091 | 6226481 | OR gasket 69.85X3.53       |   |
| 092 | 6028695 | Air tube diaphragm d.37    |   |
| 700 | 6211794 | Peephole kit + gasket      |   |
| 701 | 6281534 | Gaskets kit                | C |
| 703 | 5197221 | Complete control panel     |   |
| 704 | 6319163 | 3 pole cable connector     |   |
| 705 | 6319162 | 4 pole cable connector     |   |
| 706 | 6325683 | 5 pole cable connector     |   |
| 707 | 6319164 | 9 pole cable connector     |   |
| 708 | 6323824 | 14 pole cable connector    |   |
| 709 | 6299991 | 4 pole cable connector     |   |
| 710 | 6316202 | Connector 4 poli CN6       |   |
| 711 | 6316203 | Connector 4 poli CN4       |   |
| 712 | 6316204 | Connector 8 poli CN7       |   |
| 713 | 6319165 | 5 pole cable connector     |   |
| 714 | 6186587 | Ionisation electrode cable |   |
| 715 | 6141902 | Plug Wieland ST 18/5 S     |   |
| 716 | 6316200 | Connector 2 poli           |   |
| 717 | 6316201 | Connector 4 poli           |   |

- A = Spare parts for minimum fittings
- A+B = Spare parts for basic safety fittings
- A+B+C = Spare parts for extended safety fittings